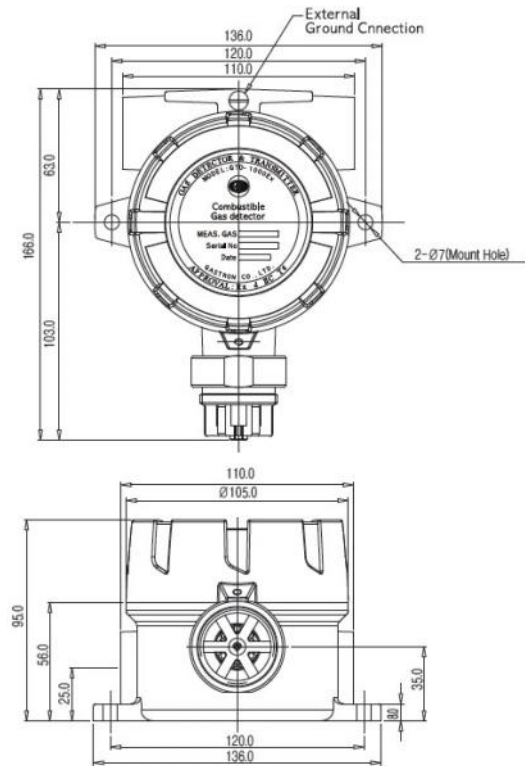


General



Dimension (Unit:mm)



Accessories



Specification

*Specifications are subject to be changed without prior notice.

TRANSMITTER TYPE FLAMMABLE GAS DETECTOR			
Model	GTD-1000Ex		
Measuring gas	Flammable gases (LNG, LPG, H ₂ , Methane, Buthane & etc)		
Measuring type	Diffusion type		
Measuring method	Catalytic cell	Hot wire semiconductor cell	Thermal conductivity cell
Measuring range	0~100% LEL	0~2000ppm	0~100% Vol
Response time	<15 sec / 90% scale		
Accuracy	±3% / Full scale		
Output signal	4~20mA DC		
Cable/Distance	Power + Signal cable : 3-wire > 1.5sq (AWG16) / 2500m max		
Conduit connection	G. Rc. NPT 1/2" & 3/4" (G 3/4" : standard)		
Mounting type	2" Pole mount, Wall mount, Duct mount		
Operating temperature	-20°C ~ +60°C		
Operating humidity	5 ~ 99%RH (non-condensing)		
Operating power	21 ~ 27V DC (24V DC normal) / 200mA max		
Dimensions	136 x 166 x 95 (W x H x D)mm		
Weight	1.2kg		
Approval	Explosion proof type (Ex d IIC T6, IP65) KCs KFI, CE		