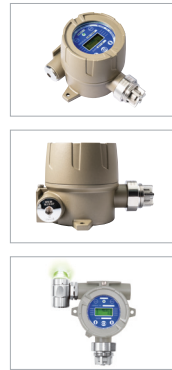


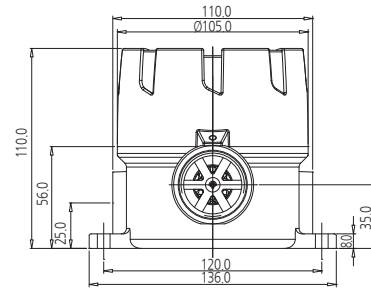
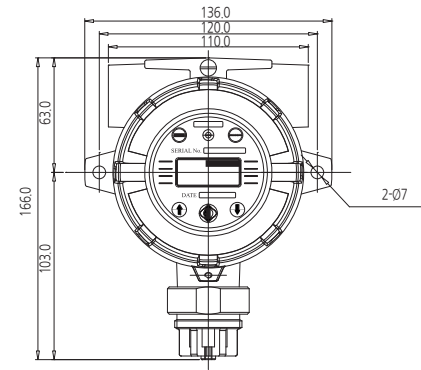
GTD-2000Ex Smart Diffusion Flammable Gas Detector

| Continuous detection of flammable gases in explosion hazardous area with flame proof structure | Self diagnosis function with built-in Microprocessor | Detection gas from low to high concentration owing to various detection principle | Stable quality and proved detection principle for service life | Built-in back light LCD or OLED display | Easy Configuration of monitoring by HART communication | Auto calibration and program setting with a magnet bar | 4-20mA (Current source or Sink) output signal | With the alarm unit - Normal : Green LED - Alarm : Red LED, Buzzer(95 dB) - Trouble : Yellow LED | Calibration and maintenance by one-man |

IMAGE



DIMENSION (Unit : mm)



ACCESSORIES



SPECIFICATION

※ Specifications are subject to be changed without prior notice.

SMART & LOCAL DISPLAY TYPE FLAMMABLE GAS DETECTOR			
Model	GTD-2000Ex		
Measuring gas	Flammable gases (LNG, LPG, H ₂ , Methane, Butane & etc)		
Measuring type	Diffusion type		
Measuring method	Catalytic cell	Hot wire semiconductor cell	Thermal conductivity cell
Measuring range	0-100% LEL	0-2000ppm	0-100% Vol
Response time	< 15sec / 90% scale		
Accuracy	±3% / Full scale		
Parameter control	Non intrusive control with a Magnet bar (calibration, maintenance)		
Operation mode display	1-LED (Power)		
Measuring value display	LCD display (Built in back light 2-Line, 8 characters) / OLED Type (Option)		
Output signal	Analog : Measuring signal : 4-20mA DC Calibration signal : 3mA DC Fault signal : 0mA DC Digital : 2mA (HART 7, HART Device Description Language available, Option)		
Material	Housing : ALDC, SUS316(Optional) / Sensor : SUS316		
Conduit connection	Standard : PF 3/4" Option : NPT 1/2", NPT3/4", M20 x 1.5P, M25 x 1.5P		
Mounting type	2" Pole mount, Wall mount, Duct mount		
Operating temperature	-40°C ~ +80°C		
Operating humidity	5 ~ 99%.RH (non-condensing)		
Dimensions	136(W) x 166(H) x 110(D)mm		
Weight	1.5kg		

CERTIFICATION			
KCs	Ex tD A21 IP66 T85°C, Ex d IIC T6, T5, T4	ATEX / IECEx	Ex db IIC Gb T6, T5, T4
NEPSI	Ex d IIC T5 Gb	UL	Class I, Division 1, Groups A,B,C,D
CE / KC / MED / KR / ABS / BV / DNV / HART / SIL2 / PESO / TRCU ex / CPA			Refer to website