

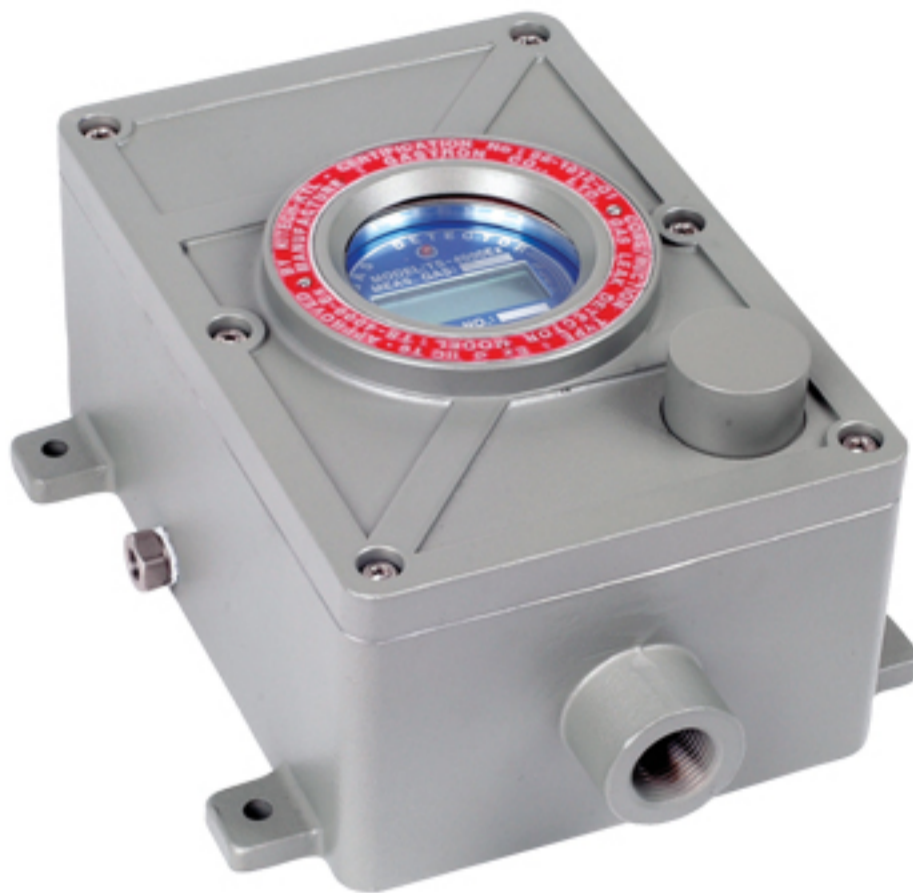
# TOTAL SOLUTION FOR GAS DETECTION SYSTEM

TOTAL SOLUTION FOR GAS DETECTION SYSTEM

TOTAL SOLUTION FOR GAS DETECTION SYSTEM

## TS-4000 Series

FLAME PROOF TYPE



- Continuous detection of combustible, oxygen & toxic gas in hazardous area with flame proof structure
- Continuously suction of gas from area, gas detector can not be installed in, With high efficient micro pump
- Detection of combustible, oxygen & toxic gas from low to high concentration owing to various detection principle
- Stable quality and proved detection principle for service life
- Excellent selectivity by adapting detection principle only for oxygen & toxic gas
- Superior performance for detecting gas below TLV
- Gas concentration check by built-in LCD
- Digital display of gas concentration with 3-1/2 Digit
- 3-wire connection
- 4-20mA DC output signal
- Calibration and maintenance by one person

### GENERAL

- TS-4000 series have flame proof structure and can be installed in hazardous area, gas might be present in, and continuously detects combustible, oxygen & toxic gas
- It has high efficient diaphragm pump having long service life
- It has excellent selectivity to react only with corresponding gas. Therefore, it minimizes malfunctioning due to interfering gas
- Also it shows excellent performance for detecting very low gas concentration (below TLV)
- Calibration port is located in front of gas detector to make calibration easier
- It has guaranteed reliability and minimized influences of temperature, pressure, humidity and electrical noise.
- Analog output (4-20mA DC) is delivered to controller, DCS & PLC and gas monitoring system
- It is 3 wire type and installation is easier than existing products (5-6 wire type) with low cost
- There are various accessories for each onsite condition (Optional item)



### [Special application]



Sampling system

### [Accessories]



Cable gland



Male connector



Dust filter



Collecting-cone



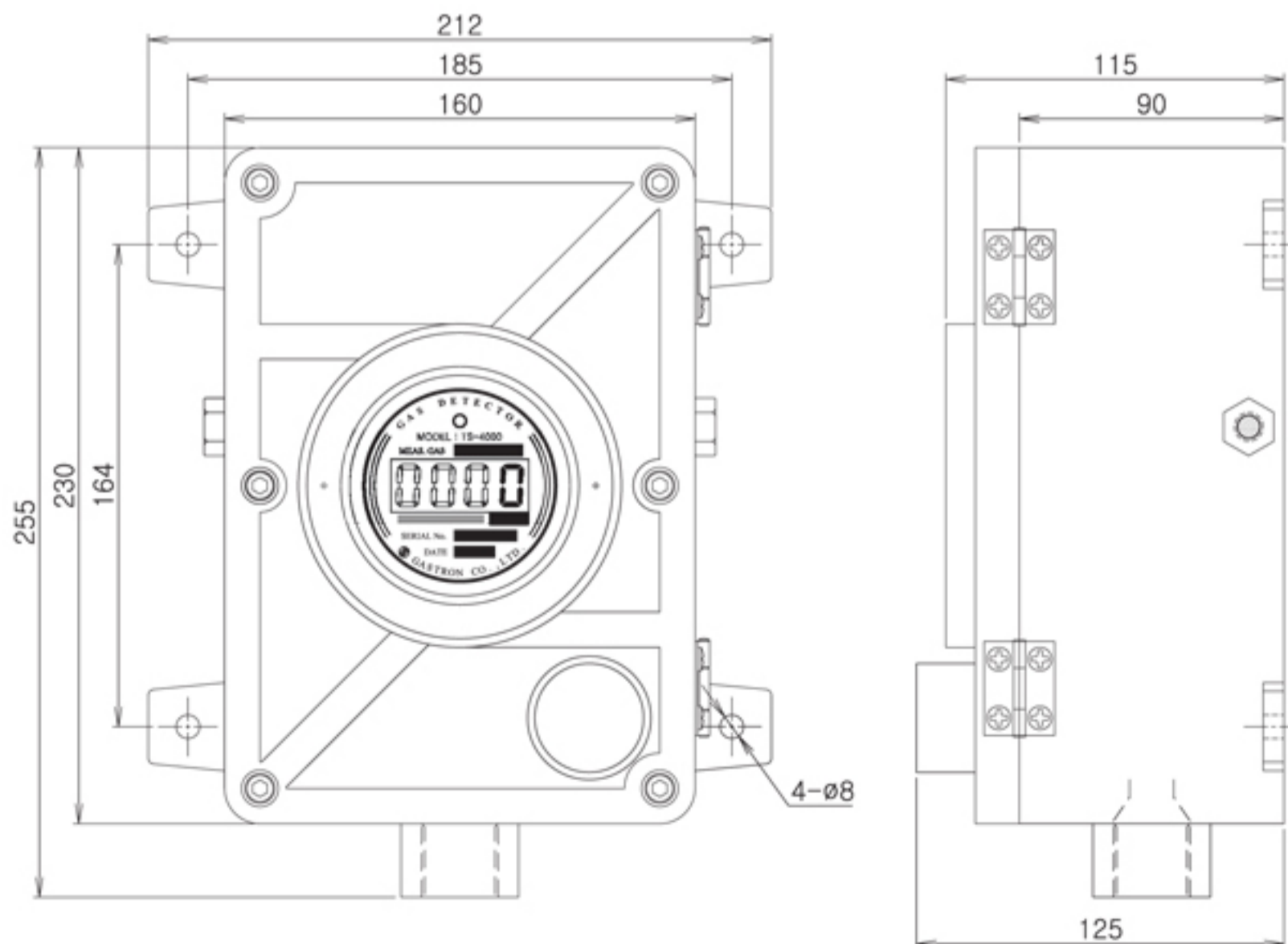
## SPECIFICATION

### EXPLOSION PROOF & AUTO SAMPLING TYPE COMB. OXYGEN & TOXIC GAS DETECTOR

Model	TS-4000	TS-4000Tx
Measuring gas	Combustible gas (LNG, LPG, H <sub>2</sub> , Methane, Butane & etc)	Toxic gas (O <sub>2</sub> , CO, CL <sub>2</sub> , NH <sub>3</sub> & etc)
Measuring type	Auto sampling type	
Measuring method	Hot wire semiconductor cell, Catalytic cell, Thermal conductivity cell	semiconductor cell, Electrochemical cell
Measuring range	0~2000ppm, 0~100% LEL, 0~100% Vol.	Refer to Ordering information (70 page)
Response time	<15sec / 90% scale	<45sec / 90% scale
Accuracy	±3% / Full scale	
Operation mode display	1-LED (Power)	
Measuring value display	LCD display (3-1/2 digit)	
Measuring value output	4-20mA DC	
Sampling method	Diaphragm Pump	
Sampling line	OD 1/4" (Standard type)	
Flow rate	0-2200 ml/min max	
Cable/Distance	3 wire (Above CVVS 1.5sq) / 2,500m max.	
Conduit connection	1/2" & 3/4" PF, NPT (3/4" : standard)	
Mounting type	2" Pole mount, Wall mount	
Operating temperature	-20°C ~ +50°C	
Operating humidity	5~ 95%.RH (non-condensing)	
Operating power	18 ~ 31V DC (24V DC normal) / 250mA max.	
Dimensions	212 x 255 x 125 (W X H X D)	
Weight	7.5kg	
Approval	Flame proof type (Ex d IIB + H2 T6)	

※ Specifications are subject to change without prior notice.

## DIMENSION (unit : mm)



TS-4000