

# Transmitter Diffusion Oxygen & Toxic Gas Detector

## GTD-1000Tx

### Feature

- ▷ Continuous detection of toxic gases and oxygen in explosion hazardous area with flame proof structure
- ▷ Excellent selectivity by adapting detection principle only for toxic gases & oxygen
- ▷ Superior performance for detecting toxic gases below TLV
- ▷ High quality and low cost of ownership
- ▷ 4-20mA DC output signal
- ▷ Simple structure and compact design
- ▷ Easy calibration & maintenance with inside FND display
- ▷ Calibration and maintenance by one-man

### Special Application

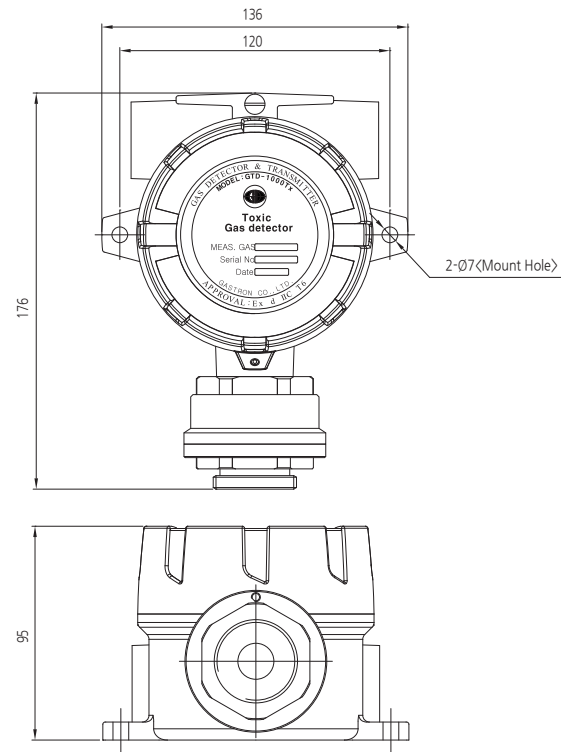


Insert type



## General

## Dimension (Unit:mm)



## Accessories



## Specification

※Specifications are subject to be changed without prior notice.

TRANSMITTER TYPE OXYGEN & TOXIC GAS DETECTOR	
Model	GTD-1000Tx
Measuring gas	O <sub>2</sub> / Toxic gases (CO, CL <sub>2</sub> , NH <sub>3</sub> & etc)
Measuring type	Diffusion type
Measuring method	Electrochemical cell, Semiconductor cell
Measuring range	Refer to Toxic Gas Measuring Range(176 page)
Response time	< 45 sec / 90% scale
Accuracy	±3% / Full scale
Output signal	4-20mA DC
Cable/Distance	Power + Signal cable : 3-wire >1.5sq (AWG16) / 2500m max Power + Signal cable : 2-wire >1.5sq (AWG16) / 2500m max
Conduit connection	G. Rc. NPT 1/2" & 3/4" (G 3/4" : standard)
Mounting type	2" Pole mount, Wall mount, Duct mount
Operating temperature	-20℃ ~ +60℃
Operating humidity	5 ~ 99%.RH (non-condensing)
Operating power	18 ~ 31V DC (24V DC normal) / 150mA max
Dimensions	136 x 176 x 95 (W x H x D)mm
Weight	1.4kg
Approval	Explosion proof type (Ex d IIC T6, IP66/67) KCs, CE, KC